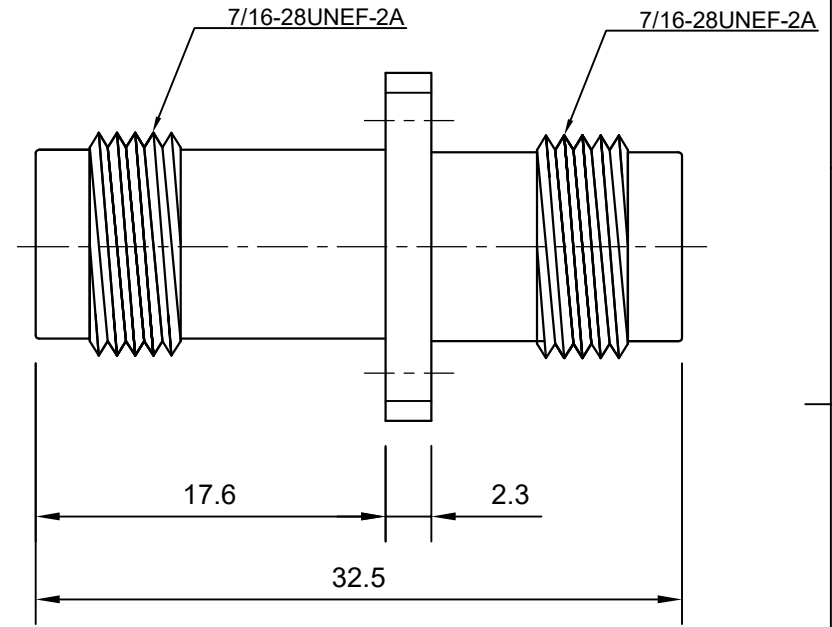
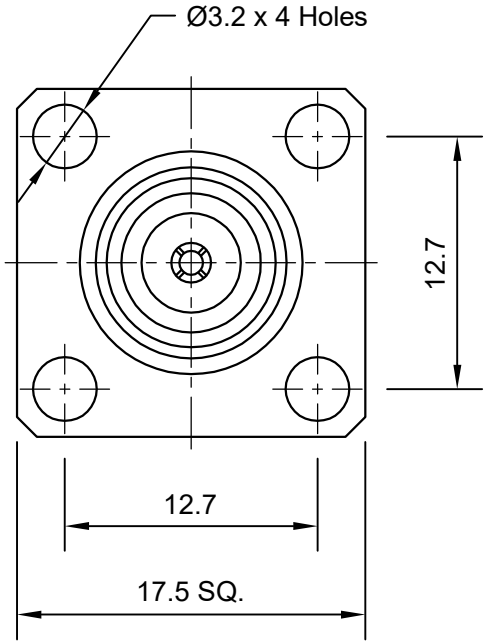


RevNo	Revision note	Date	Signature	Checked



TECHNICAL DATA

Type	Adapter
Orientation	Straight
Impedance (Ohms)	50
Adapter Side 1	TNC
Side 1 Gender	Jack
Adapter Side 2	TNC
Side 2 Gender	Jack
Body Finish	Nickel
Body Material	Brass
Contact Finish	Gold
Contact Material	Phosphor Bronze
Insulator Material	Delrin
Max. Frequency (GHz)	11
Mounting Feature	4 Hole Panel Mount
Min. Temp. (Celsius)	-65
Max. Temp. (Celsius)	85
Weight (Grams)	16.5

FILE PATH: D:\VINSUR\DRAWINGS -- VINSUR\ADAPTERS\TNC - TNC
 FILE NAME: ADAPTER - TNC Female to TNC Female 4 Hole Panel Mount - VSW-AD-194221-S.dwg

SIZE

DRAWN	VINAY 27.10.2018
CHECK	
APPR.	VINAY 27.10.2018
ISSUED	
REV	R0

SHEET	1 of 1	SCALE	NTS
RF ADAPTER			
TNC Female to TNC Female			
4 HOLE PANEL MOUNT TYPE			
DWG NO		VSW-AD-194221-S	